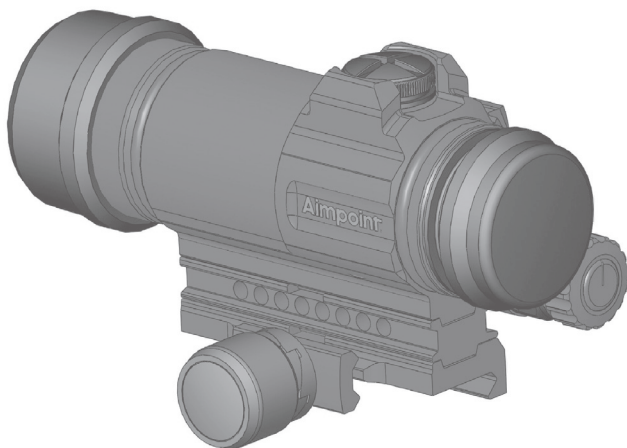


Aimpoint®

CompM4s™ with QRP2 mount, spacer and ARD
User manual



THE FUTURE IN SIGHT.

1 PRESENTATION

Aimpoint red dot sights are designed for the "two eyes open" method of sighting, which greatly enhances situational awareness and target acquisition. The red dot follows the movement of the user's eye while remaining fixed on the target, eliminating the need for centering. Further, the sight allows for unlimited eye-relief and is compatible with 1st , 2nd and 3rd generation night vision devices (NVD).

1.1 Technical specification

Material - housing:	Extruded, high strength aluminum
Surface finish:	Hard Anodized, black to dark graphite grey, matte
Material – lens covers:	Rubber, black
Optical magnification:	1X
Eye relief:	Unlimited
Optical coating:	Anti Reflex coating, all surfaces Multi-layer coating for reflection of red light (650 nm) Band Pass coating for NVD* compatibility
Dot size:	2 MOA**
Switch, dot brightness:	16 positions: 7 NVD, 8 daylight and 1 Extra Bright
Battery:	One AA size battery, (rechargeable 1.2V), alkaline/lithium 1.5V or lithium 3-3.7V (acceptable voltage 1.2 – 5.0 V)
Battery life:	Over 8 years of continuous (day and night) use at pos 12 of 16 and over 3 years at pos 13 of 16. (at room temperature and with a quality battery) Typically 500 000 h at NVD setting
Size (L x W x H):	135 mm (5.3") x 75 mm (3") x 70 mm (2.8")
Weight:	370g (13.1 oz), with spacer 395g (14 oz)
Adjustment:	Range ± 2 m at 100 meters (± 2 yds at 100 yds), in windage and elevation, 1 click = 4 mm at 25 meters = 16 mm at 100 meters ~ 1/2" at 80 yards
Height of optical axis***:	30 mm (1.2") with QRP2 mount, 39 mm (1.5") with standard spacer and QRP2 mount
Max temperature range:	-45 °C to +70 °C (-49 °F to +160 °F), in storage and operation
Water resistance:	Submersible to 45 m (150 ft)

*NVD: Night Vision Device

**MOA (Minute Of Angle): 1 MOA~ 30 mm at 100 meters or ~1" at 100 yards

***Over top surface of Picatinny rail

1.2 Location and description of major components

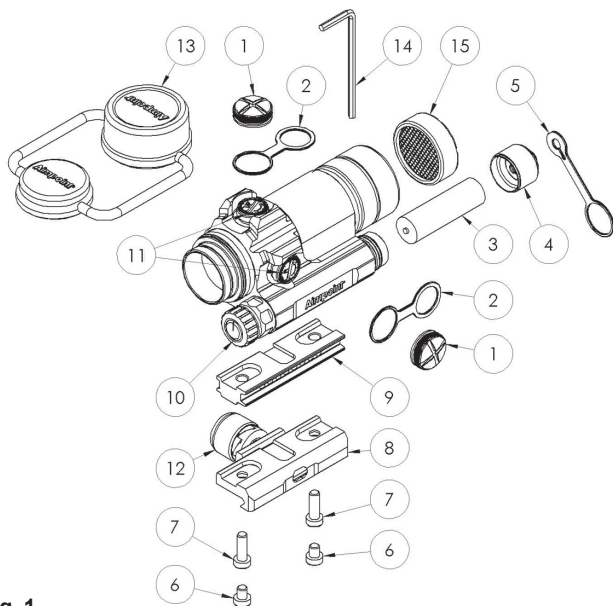


Fig. 1

- | | |
|-------------------------------------------|-------------------------------------------|
| 1. Adjustment cap (2 pcs) | 10. Rotary switch |
| 2. Strap (for adjustment cap) (2 pcs) | 11. Adjustment screw (2 pcs) |
| 3. Battery (AA size) | 12. Torque knob (QRP2 mount) |
| 4. Battery cap | 13. Lens covers (Bikini) |
| 5. Strap (for battery cap) | 14. Allen wrench for screws (pos.6 and 7) |
| 6. Screws (for Mount) (2 pcs) | 15. Anti-Reflection Device (ARD) |
| 7. Screws (for Mount with spacer) (2 pcs) | |
| 8. QRP2 mount | |
| 9. Spacer | |

2 OPERATION UNDER NORMAL CONDITIONS

WARNING: Ensure the weapon is not loaded and the safety selector is in the "safe" position before attempting to install, remove or perform maintenance.

2.1 Install Battery

- 1 Remove battery cap (4) by turning it counter clockwise.
- 2 Insert an AA-size battery (3) with negative (-) end toward battery cap (4).

CAUTION: Check that the o-ring is in good condition and in position to ensure that there is no water leakage into the battery compartment.

- 3 Install battery cap (4) by turning clockwise until snug. Hand tighten only. Using tools can damage equipment.
- 4 Verify that the red dot is present by turning the rotary switch (10) clockwise.

2.2 Lens Covers

To avoid losing the lens covers (13) when removed from the sight, the lens covers (13) should be removed downwards to attach the rubber string around the sight and mount.

2.3 Mounting CompM4™ / CompM4s™ with QRP2 mount

The QRP2 mount (8) is designed for mounting on a MIL-STD 1913 Picatinny rail.

- 1 Loosen the torque knob (12) by turning it counter clockwise.

CAUTION: Ensure that the groove to be used is clean and free from dirt.

- 2 Position the recoil stop of the QRP2 mount in a groove of the rail and install the mount.
- 3 With the recoil stop positioned in a groove of the rail, push the sight with mount forward (toward muzzle) and tighten the torque knob (12) clockwise until it snaps twice. Retighten the knob after a few rounds if necessary.

CAUTION: Only grab the checkered portion of the knob to prevent pinching of fingers.

2.4 Zeroing

The sight is delivered with the red dot in a centered position. Normally this means that only small adjustments are necessary, providing that the weapon rail or carrying handle is properly aligned. The elevation adjustment screw is located on top of the sight, while the windage screw is located on the right side.

CAUTION: Do not continue to adjust windage and elevation mechanisms if you encounter resistance.

- 1 Remove the lens cover (13).
- 2 Turn the rotary switch (10) clockwise until the red dot has a sufficient intensity to contrast against the target.
- 3 Remove both adjustment caps (1).

NOTE: Each click of the adjustment screws (11) corresponds to a 16 mm movement of the point of impact at 100 meters, (4 mm at 25 meters and 32 mm at 200 meters or 1/2" at 80 yds).

- 4 Insert adjustment tool (coin, screwdriver, knife) or cartridge casing in adjustment screw slot and turn as follows:
 - To move the point of impact to the right, turn windage adjustment screw counter clockwise .
 - To move the point of impact to the left, turn windage adjustment screw clockwise.
 - To move the point of impact up, turn elevation adjustment screw counter clockwise.
 - To move the point of impact down, turn elevation adjustment screw clockwise.
- 5 Confirm zeroing by firing at least three shots at a zeroing target. Check points of impact on zeroing target to confirm accuracy and repeat above procedure if required.
- 6 After initial firing, ensure that the mount and sight are secure.

3 OPERATION UNDER EXTREME CONDITIONS

- Extreme heat (moist or dry): No special procedures required.
- Extreme cold: Extreme cold might shorten battery life.
- Salt air: No special procedures required.
- Sea spray, water, mud and snow: Ensure that battery cap (4) and the two adjustment caps (1) are tightened before exposing the sight to sea spray, mud, snow or before immersing the sight in water. Hand tighten only. Keep lens covers closed when sight is not being used. Clean lenses with lens paper/cloth and wipe the sight dry as soon as possible after exposure to water, sea spray, mud or snow.
- Dust storms and sand storms: Keep lens covers closed when sight is not being used.
- High altitudes: No special procedures required.

CAUTION: The lenses shall never be cleaned with fingers but with lens paper/cloth. If no lens paper/cloth available :

- To clear away debris (sand, grass etc): blow away the dirt or rinse with clear water.
- To clean lenses: fog the lenses or rinse with clear water and clean them with a soft piece of cloth.

4 TROUBLE SHOOTING PROCEDURES

4.1 The red dot does not appear

Discharged battery:	Replace battery.
Battery installed incorrectly:	Remove and reinstall battery with (-) toward battery cap.
Battery is not making contact:	Clean contact surfaces and reinstall battery.
Defective Rotary switch:	Notify dealer/armourer.

4.2 Impossible to zero

Adjustment screw is at its limit: Check alignment of rail (or carry handle)

Impact point is moving: Check Mount and weapon rail (or carry handle) stability.

5 MAINTENANCE

- This sight does not require any particular maintenance while used under normal conditions.
- Under severe weather conditions please refer to section 3.
- Keep lens covers closed whenever the sight is not in use.
- Warehouse storage: remove battery and allow lens surfaces to dry completely (if wet) before closing the lens covers.
- To clean lenses refer to **CAUTION** in section 3.
- To reach maximum protection level for all weather conditions, wax is added into the rubber mixture. The wax will slowly migrate to the surface of the part. During frequent use this wax will be used up completely and not noticed by the user. For long time storage, the wax will not be used up as frequently and will be seen as a grey film on the surface. To restore to its original condition, please hand wash in warm dishwater.

Aimpoint AB

Jägershillgatan 15

SE- 213 75 Malmö, Sweden

Phone: +46 (0)40 671 50 20

Fax: +46 (0)40 21 92 38

e-mail: info@aimpoint.se

Aimpoint Inc.

7309 Gateway Court

Manassas, VA 20109, USA

Phone: +1 703-263-9795

Fax: +1 703-263-9463

e-mail: info@aimpoint.com

WWW.AIMPOINT.COM

© 2012, 2017 Aimpoint AB. [12171-2]

