



**HATSAN**  
ARMS COMPANY

**ESCORT**  
Pump Action Shotgun



# Instruction Manual

Read this manual before using your shotgun

# CONTENTS

	Page
SAFETY MEASURES _____	3
NOMENCLATURE _____	4
PART LIST _____	5
EXPLODED VIEW _____	6
TECHNICAL FEATURES and DATA _____	8
EXTERNAL CONTROL PARTS _____	8
ASSEMBLY INSTRUCTIONS _____	9
LOADING THE SHOTGUN _____	10
FIRING THE SHOTGUN _____	10
USE OF THE CHOKES _____	11
UNLOADING _____	12
CARE, CLEANING AND LUBRICATION _____	13
ILLUSTRATIONS _____	14

Congratulations and thank you for choosing Hatsan ESCORT pump action shotgun.

## **WARNING!**

**Read this instruction manual very carefully before handling and using this shotgun. Failure to do so may result in serious injury or death to you or bystanders. Do not attempt to load or use the shotgun until you read and understand the information contained this owner's manual.**

Always keep this manual with your shotgun. Make sure you understand all the operation instructions, safety procedures and warnings in this manual before you handle the shotgun.

If you sell, lend or give the shotgun to another person, make sure this manual goes with it.

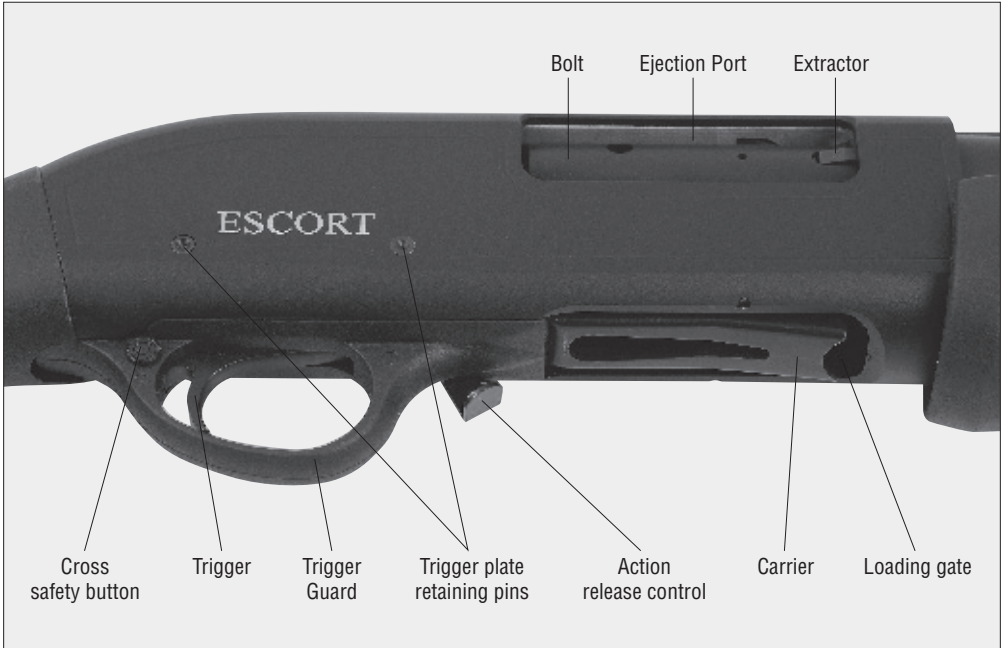
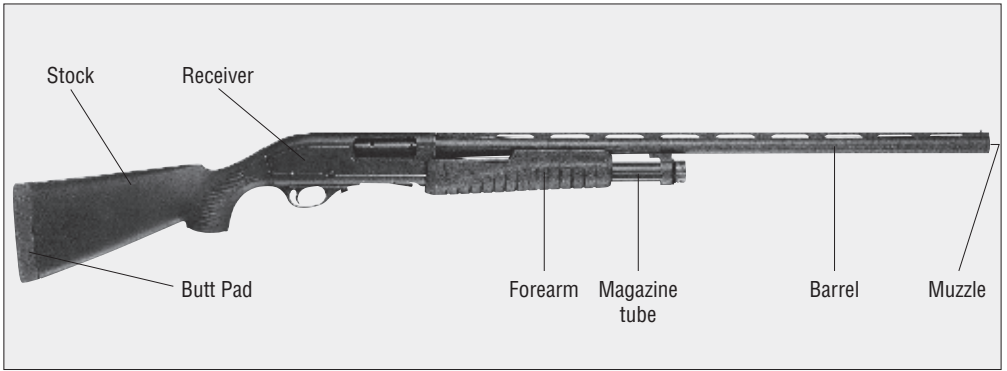
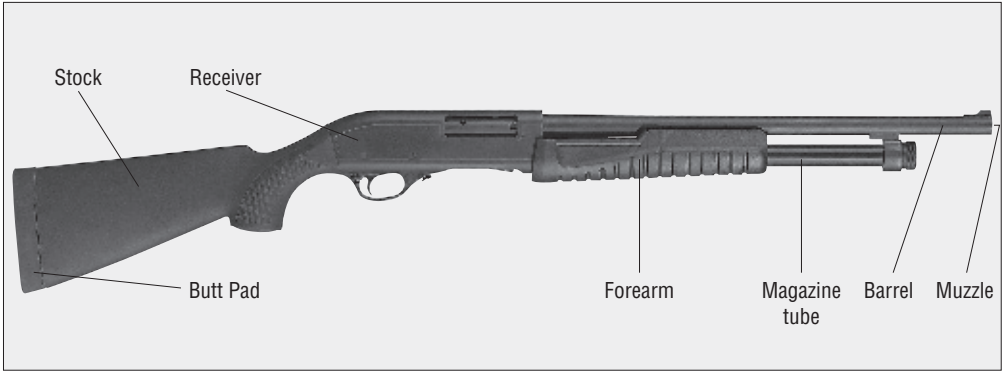
## **WARNING !**

**Always keep your finger outside the trigger guard and ensure that the safety is fully engaged until you are sure that you are ready to fire. Safety is “on” when the safety button is pushed all the way to the right and red ring is not visible on the left side of the trigger guard. When red ring is visible , the safety is “off” and the shotgun is ready to fire.**

## **SAFETY MEASURES**

- Keep your fingers away from the muzzle. Never pull a shotgun toward you by the muzzle.
- Always point the shotgun in a safe direction even though it may be unloaded. Do not point the shotgun at anything you do not intend to shoot. Avoid all horseplay while handling a shotgun.
- When handling your shotgun, never allow fingers or any object to touch the trigger until you are ready to shoot.
- Keep the safety “ ON “ unless you are actually ready to fire. Treat every shotgun with respect and caution.
- Be sure the barrel is clear of obstructions, including dirt, snow or water.
- Always treat every shotgun as if it were loaded.
- Keep the shotguns unloaded when not in use and never load your shotgun if you do not intend to shoot it.
- Always aim at a safe target, taking care that it does not conceal any other object. Be sure of your target before you pull the trigger. Never shoot at sounds, at a flat surface or water. Do not fire at a target, which allows ricochets or deflections.
- Store shotguns and ammunition separately, beyond the reach of children, better if under lock and key. Shotguns should always be unloaded when stored.
- Never carry a loaded shotgun inside a vehicle, house, camp or public place. When transporting the shotgun keep the shotgun safety “ON” and unloaded. Never climb a tree or fence, or jump a ditch with a loaded shotgun.
- Never rely on anyone's words that the safety is “ON” or unloaded. Always check to see if the safety is “ON” and unloaded when getting it from another person or storage.
- Avoid alcoholic beverages or drugs before or during shooting.
- Always use eye & hearing protection and make sure bystanders are similarly protected.
- Although the actual shotgun does not contain any lead, it fires ammunition containing lead or lead compounds, which are known to be dangerous for health. Anyone who shoots the shotgun, stands near the shotgun shooter, or cleans the shotgun should take protective health measures. Avoid exposure to lead while handling and wash your hands after contact. Proper air ventilation is absolutely necessary when shooting indoors.
- Any damage, malfunction, injury or death resulting from the use of faulty, non-standard, remanufactured, hand loaded or reloaded ammunition is the responsibility of the user. The user is solely responsible for the damage, injuries or death resulting from carelessness or misuse of the shotgun.

# NOMENCLATURE

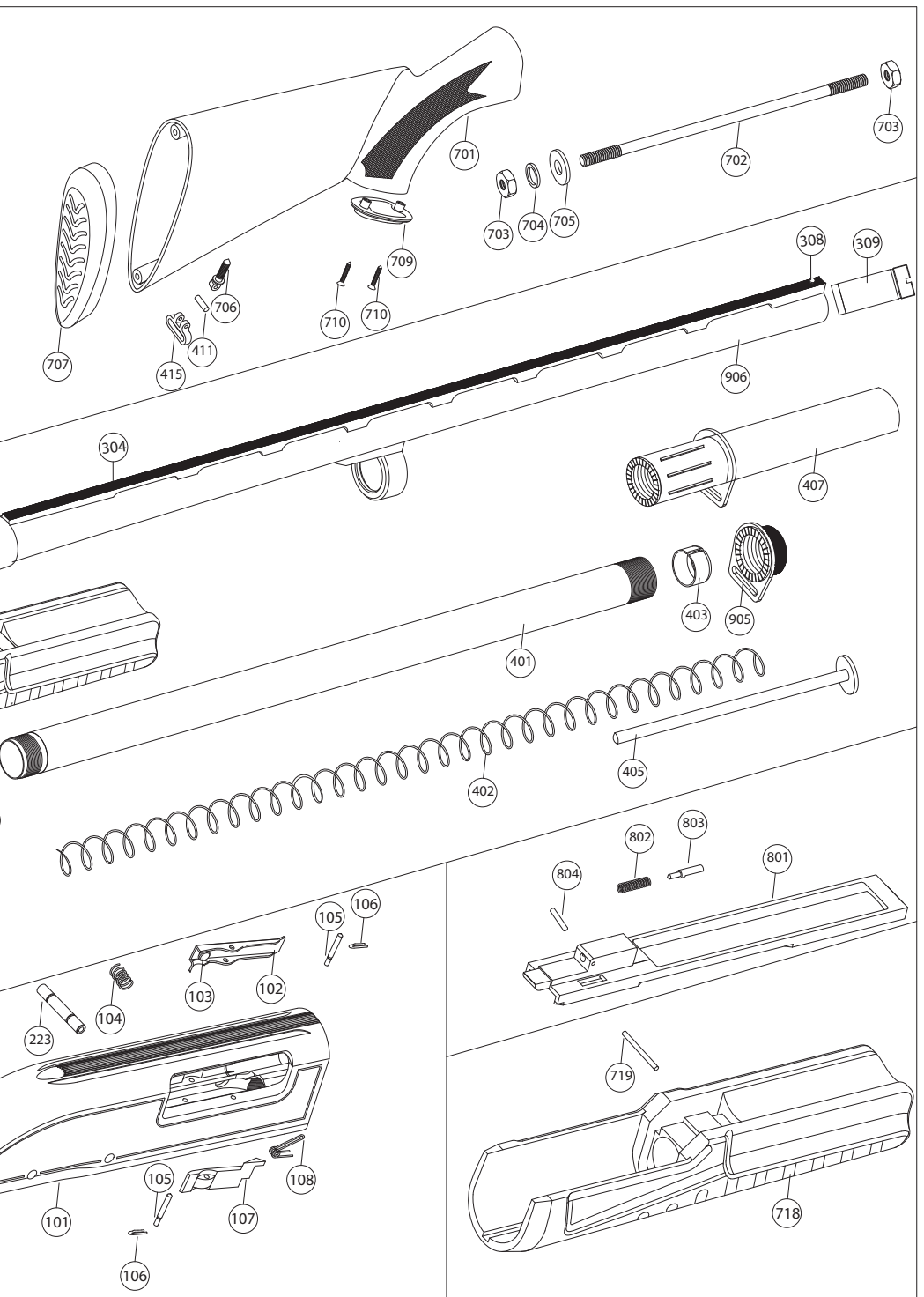


# PARTS LIST

<b>Code</b>	<b>Part Name</b>	<b>Code</b>	<b>Part Name</b>
101	Receiver	403	Magazine Spring Retaining Plug
102	Carrier Latch	404	Magazine Spring Follower
103	Carrier Latch Rivet	405	Magazine Plug
104	Carrier Latch Spring	406	Fore-End Cap (Without Swivel)
105	Carrier Latch Pin	407	Magazine Extension Tube
106	Shell Latch Retaining Plug	411	Swivel Pin
107	Shell Latch	413	Fore-End Cap Retaining Plug
108	Shell Latch Spring	414	Sheet Swivel
201	Trigger Plate	415	Casted Swivel
202	Carrier	417	Magazine Tube Contra Nut
203	Carrier Level	601	Bolt
204	Carrier Level Rivet	602	Locking Block
205	Carrier Spring	603	Firing Pin
206	Carrier Spring Guide	604	Firing Pin Spring
207	Carrier Pin	605	Firing Pin Stop
208	Carrier Pin Retaining Plug	606	Extractor
209	Hammer	607	Extractor Pin
210	Hammer Pin	608	Extractor Spring
211	Hammer Spring Guide	609	Extractor Retaining Pin
212	Hammer Spring	701	Stock
213	Trigger	702	Stock Connection Rod
214	Sear	703	Stock Connection Rod Nut
215	Sear Spring Guide	704	Stock Connection Rod Spring Washer
216	Sear Spring	705	Stock Connection Rod Washer
217	Sear Pin	706	Stock Swivel Screw
218	Trigger Spring	707	Butt-Plate
219	Safety Button	708	Butt-Plate Screws
220	Safety Spring Guide	709	Stock Plastic Cap
221	Safety Spring	710	Stock Plastic Cap Screw
222	Safety Pin	711	Stock Drop Spacer
223	Trigger Assembly Pins (2)	718	Plastic Fore-End
224	Action Release Control	719	Fore-End Pin
225	Action Release Control Spring	720	Receiver Plastic
301	Slug Barrel	801	Action Bar
302	Barrel Tang	802	Action Bar Spring
303	Barrel Tang Pin	803	Action Bar Pin
304	Ventilated Rib	804	Action Bar Bearing Pin
306	Casted Front Sight	901	Stock (Complete)
308	Metal Bead Front Sight	902	Trigger Group(Complete)
309	Inner Choke	903	Bolt(Complete)
311	Barrel Ring	905	Fore-End Cup (Complete)
324	Barrel Ring Bearing Ball	906	Ventilated Rib Barrel
325	Barrel Ring Spring	907	Fore-End (Complete)
401	Magazine Tube	909	Stock Swivel (Complete)
402	Magazine Spring		

\*\* Please specify model name, caliber and barrel length when ordering parts.





# TECHNICAL FEATURES AND DATA

Fill in below according to your shotgun:

<u>Model</u>	<u>Serial No</u>	<u>Barrel Length</u>	<u>Magazine Capacity</u>	<u>Chamber</u>	<u>Caliber</u>	<u>Type</u>
.....	.....	.....	.....	.....	.....	P/A shotgun

Alternatives in barrel length of Escort;

- 18" (46 cm)
- 20" (51 cm)
- 22" (55 cm)
- 24" (61 cm)
- 26" (66 cm)
- 28" (71 cm)
- 30" (76 cm)

## EXTERNAL CONTROL PARTS

("Right" and "Left" refer to the shotgun as seen by a shooter holding it in the firing position)

### **Cross Button Safety:**

Located behind the trigger on the trigger housing.

When the red ring around it is visible, it means that the cross button safety is disengaged "OFF" and shotgun is ready to fire. **(1A)**

To engage the cross button safety, push it until the red ring disappears and it moves no longer to the safety position.

Now the safety is "ON", trigger cannot be pulled and the shotgun cannot be fired. **(1B)**

### **WARNING!**

- 1. Always keep the cross button safety ON (hereinafter will be referred as only "safety ON") until you are actually ready to fire and the muzzle is pointing at the target.**
- 2. Make sure that you understand how all controls work before you attempt to load the shotgun.**
- 3. Keep the muzzle pointed in a safe direction and your finger off the trigger when operating the safety. Malfunctions which may cause a shotgun to fire is engaged or disengaged are rare but can happen. Even if an accidental firing should occur, nobody will be hurt if you follow this rule.**

### **THREE THINGS TO REMEMBER ABOUT SAFETIES**

- 1. NEVER TOTALLY DEPEND ON A MECHANICAL SAFETY.** It is not a substitute for proper shotgun handling. Like all mechanical devices the safety is subject to breakage or malfunction and can be defeated by wear, abuse, dirt, corrosion, incorrect assembly of the shotgun, improper adjustment or repair, or lack of maintenance.
- 2. NO MECHANICAL SAFETY IS "CHILDPROOF" OR "FOOLPROOF".** No safety ever invented can be relied upon to prevent an accidental shooting by a determined child or a grownup idiot "playing" with a shotgun.
- 3. TREAT EVERY SHOTGUN AS IF YOU EXPECT ITS MECHANICAL SAFETY NOT TO WORK.** You will be astounded at how cautious you become, and how little tolerance you will have for the complacency of others.

### **Action Release Control:**

The action lock lever is located on the left side of the trigger housing just rearward of the trigger guard. The action lock lever allows the action to be unlocked and opened for inspection or unloading without pulling the trigger. The action may be opened by depressing the lever and pulling the forearm rearward. **(2)**

**NOTE:** During firing, the action unlocks automatically after the hammer falls and the action can be cycled without depressing the action lever.



**Carrier:**

Located on the underside of the receiver, in front of the trigger guard. Carrier is pushed into the receiver for loading the shotgun.

**Trigger:**

Located in the trigger guard. When the shotgun is loaded, the safety disengaged, and the trigger pulled, shotgun will fire.

**Magazine Cap:**

Located in front of the forearm and under the barrel. It is screwed (clock-wise) over the magazine tube to keep the forearm and barrel properly in place.

## ASSEMBLY INSTRUCTIONS

Your new pump action shotgun is packed dismantled in its box, i.e. barrel is separated from the stock-receiver-forearm assembly. To attach the barrel, first remove all parts from the plastic bags. Before proceeding with the assembly of the shotgun, carefully check the “Nomenclature “ and read “ Safety Measures “ sections.

### WARNING!

**Before assembling the shotgun, check the barrel. Bore and cartridge chamber must be clean and there should no obstructions in them.**

#### Assemble the shotgun as follows:

- Unscrew the magazine cap (counter-clockwise) and remove it from the magazine tube. **(3)**
- Insert the barrel extension into the receiver. While doing this, be sure the barrel extension seats between the bolt and the receiver and barrel port ring is aligned with the magazine tube. Continue to slide the barrel into the receiver until the barrel extension seats completely inside the receiver. **(4)**
- Screw the magazine cap (clock-wise) so that the forearm and barrel are held properly in place. The shotgun is now assembled and ready for use.

#### Migratory Magazine Plug

Migratory magazine plug when assembled decreases the capacity of the shotgun to 2+1 for safety reasons or for the regulations varying from country to country.

PS. Migratory magazine plug is optional. Consult your dealer about your country's laws regarding use of this.

#### **It is recommended to have your migratory magazine plug assembled by a qualified gunsmith.**

Assemble the migratory magazine plug as follows:

- Unscrew the magazine cap.
- Insert the polymer rod, making sure the head is centered in the end of the magazine tube.
- Replace the magazine cap. To remove the plug, reverse the procedure above.

### WARNING!

IF

**1. Bolt does not slide forward**

**2. There is a gap between fore-end and receiver**

**3. Barrel extension protrudes from the receiver,**

**that means you have not assembled the shotgun properly. In such a case, immediately reverse assembly procedures and re-assemble your shotgun making sure that the barrel is completely inserted into the receiver, fore-end is completely in place and there are no gaps. If you still cannot assemble the shotgun properly take it to a qualified gunsmith for help.**

**\*\*After you assembled your shotgun or if you are taking it to a gunsmith for help, make sure that you keep the safety “ON”.**

**NOTE:** To disassemble the shotgun, reverse the above assembly procedure. To disassemble the bolt; slide the bolt and the action bar forward and remove them from the magazine tube-receiver assembly after the barrel is removed. While doing this, be careful since the bolt may fall from the action bar. Therefore keep the bolt up during this operation. Then the bolt can be easily removed from the action bar with your hand.

## LOADING THE SHOTGUN

### **WARNING!**

- Always keep your fingers away from the trigger if you do not intend to fire.
- Always check cartridge chamber, magazine tube and receiver to see that the shotgun is not already loaded.
- After you load the shotgun, always point the barrel in a safe direction before you aim at your safe intended target.
- Always use the correct ammo for which your shotgun is chambered.
- Always keep the safety 'ON' while loading your shotgun.

Load the shotgun as follows:

- Put the safety 'ON' if it is disengaged. **(1B)**
- Pull the forearm fully backwards and insert the first round through the ejection port into the cartridge chamber. **(5)**
- Turn the shotgun upside down so that the trigger is facing you. By depressing the carrier, into the magazine tube until the last cartridge engages the stop tooth. **(6)**

### **WARNING!**

**Shotgun is now loaded and ready to be fired.**

To fire; aim at your intended safe target, disengage safety and pull the trigger. (first see Firing section) After firing cartridge, the forearm should be pulled fully backwards to feed the next round from the magazine tube to the cartridge chamber. When the last round is fired no cartridge will be fed from the magazine tube, but never rely on this and check the cartridge chamber and magazine tube to assure that they are empty

## FIRING THE SHOTGUN

### **WARNING!**

- When pumping and firing, keep your fingers and other objects away from the path of the bolt since it moves back and forward with considerable force and velocity.
- Keep the safety 'ON' until you are actually ready to fire and aimed at your safe intended target.
- You need to pump the shotgun each time you fire to feed the next round from the magazine tube to the cartridge chamber.

**Fire with your shotgun as follows;**

- Engage safety and load your shotgun. (see Loading section)
- Pump the shotgun by pulling the forearm fully backwards.
- Wear eye and ear protection, and aim at your safe intended target.
- Disengage safety and get ready for shooting.
- Press the trigger and the shotgun will fire.
- To fire the next round, pump the shotgun by grasping the forearm and pulling it fully backwards, so the next round is fed to the cartridge chamber.

It is not uncommon while loading or firing any pump action shotgun to experience a malfunction in which

an unfired or fired cartridge case becomes jammed between the bolt and the barrel. Clear such a stoppage as follows. Point the muzzle in a safe direction. Put the safety “ON”. If possible, engage the action release control button to prevent the next cartridge in the magazine from being released and adding to the jam. Pull back the bolt and hold or lock it to the rear. The jammed cartridge or case can then be removed by shaking it out, or picking it out with your fingers.

### **WARNING!**

**If the trigger is pulled and a “click” is heard but a chambered cartridge fails to fire, follow the below instruction.**

- 1. Point the shotgun in a safe direction.**
- 2. Engage safety.**
- 3. Wait 30 seconds.**
- 4. Eject the cartridge from the chamber by pressing the action release button and by pulling the fore-end backward. Examine the cartridge primer. If it has been deeply indented by the firing pin, the cartridge is defective. If it has been indented lightly or not at all, rechamber the cartridge and try again.**
- 5. If still it does not fire, unload the shotgun and take it to a qualified gunsmith.**

- When you are firing, if you notice that the sound of any cartridge is considerably louder or softer than the previous one, stop firing and do not load the shotgun anymore. In such a case, follow the below instruction.

1. Point the shotgun in a safe direction.
2. Engage safety.
3. Follow the instructions in the “unloading section” and unload the shotgun completely.
4. With the shotgun unloaded, check the barrel for blockage or damage. If you notice any damage or malfunction in the shotgun take it to a qualified gunsmith.

### **USE OF THE “CHOKES” (for models equipped with mobile chokes only)**

There are 5 different screw-in (inner) chokes that can be used on your shotgun.

- F (Full / )
- IM (Improved Modified // )
- M (Modified /// )
- IC (Improved Cylinder //// )
- Cyl-Skeet (Cylinder-Skeet ///// )

Your shotgun is packed with either 3-choke system or 5-choke system.

Most common and preferred 3-choke system is F, M, IC chokes. However different combination 3-choke systems are possible depending on the requirements of different countries.

5-choke system contains all the inner chokes being F, IM, M, IC, Cyl-Skeet.

Check the number and markings on the chokes to find out the inner choke configuration of your shotgun.

All screw-in (inner) chokes have one, two, three, four or five notches, which indicate the type of the screw-in choke, i.e. F choke has one, IM has two, M has three, IC has four and Cyl-Skeet has five notches. Please also check the markings on chokes.

**NOTE:** M, IC and Cyl-Skeet choke tubes are good for steel shot. F & IM choke tubes are for lead shot only.

Choke	Constriction (12 Gauge)	Pattern Percentage
Cylinder-Skeet	0-0.005" (0-0.12 mm)	40% - 53%
Improved Cylinder	0.010" (0.25 mm)	57%
Modified	0.020" (0.50 mm)	67%
Improved Modified	0.030" (0.75 mm)	73%
Full	0.040" (1.0 mm)	75%

Above table shows the constriction & pattern percentage versus inner chokes. Pattern percentages are taken at a distance of 36.5 meters (40 yards). The number of pellets striking within a 76mm (30 inch) circle, drawn so as to encompass as many pellet holes as possible, is counted and compared with the number of pellets contained in an identical unfired shell. The result is expressed as a percentage.

As can be seen from above table Full inner choke has the most accuracy and accuracy decreases from Full to Cyl-Skeet inner choke which has the least accuracy. Expansion of the shot pellets within a distance is the least in Full inner choke and it is the most in Cylinder-Skeet inner choke.

### **WARNING!**

- **Make sure the shotgun is unloaded and the safety "ON" before you assemble/disassemble the chokes.**
- **Under safety conditions (cartridge chamber empty, receiver empty, magazine tube empty, safety engaged), check whether the choke worked loose during use. In such a case, the choke must be tightened to the end by means of the choke wrench.**

### **Assembly & disassembly of the inner chokes:**

- Take one of the inner chokes of your choice. Place it inside barrel and by means of choke wrench; screw (clockwise) it to the end until it is completely tightened.
- To disassemble, unscrew (counter-clockwise) by means of choke wrench and remove it.

### **Turkey Hunting Choke (Extra Full Choke)**

Extra full choke tubes are also available which are specially designed for turkey hunting.

**NOTE:** Extra full choke tubes are for lead shot only!

### **Fixed Cylinder Bore Choke**

Fixed Cylinder Bore Choke means the choke constriction is pre-machined into the barrel at the factory. No choke adjustments can be made and no interchangeable chokes can be put.

18"/46 cm and 20"/51 cm barrel pump action models are produced with this choke system as standard.

## **UNLOADING**

### **WARNING!**

- **Shotgun is loaded and ready to fire. Keep your fingers off the trigger and keep the safety ON.**
- **During unloading, never allow fingers or any object to contact the trigger. Keep the muzzle pointed in a safe direction at all times.**

### **Unload your shotgun as follows;**

- Unload your shotgun as follows;
- Point the shotgun in a safe direction and engage the safety. **(1)**
- Depress the action release control button **(2)** and pull the forearm rearward, slowly, until the live round is completely withdrawn from the chamber and visible in the ejection port, and then remove it.

- Continue pulling the forearm rearward to release the next round onto the carrier. Turn the shotgun so that ejection port faces downwards to allow the released round to drop out through the ejection port.
- Push the forearm completely forward, closing the bolt without a shell being chambered.
- To eject the cartridges from the magazine tube, turn the shotgun over so the trigger guard is upward and the shotgun remains pointed in a safe direction. With one of your hand depress the carrier. With your other hand slowly pull the forearm until you feel that the carrier stays depressed at the bottom by itself. **(8)**
- Then remove your hand that you depressed the carrier and pull the forearm fully rearwards to eject the cartridge from magazine tube. **(9)**
- Repeat this procedure until no more cartridges are ejected from the magazine tube.
- When no more cartridges are ejected from the magazine tube, visually check to assure the magazine tube and receiver are empty, and pull the forearm rearward enough to see and make sure that the cartridge chamber is empty.

## CARE, CLEANING AND LUBRICATION

### **WARNING!**

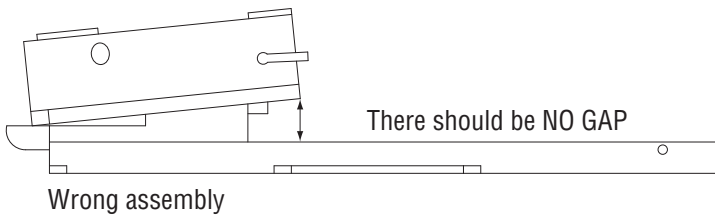
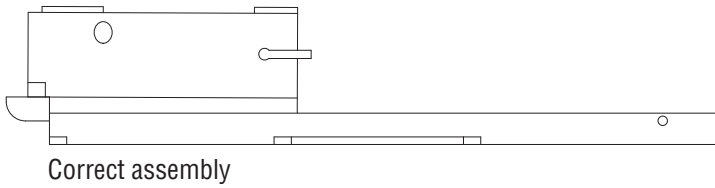
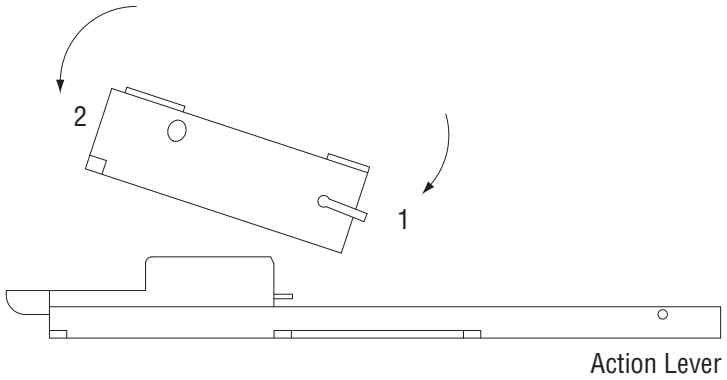
**Before cleaning or lubricating the shotgun make sure it is unloaded and the safety 'ON'.**

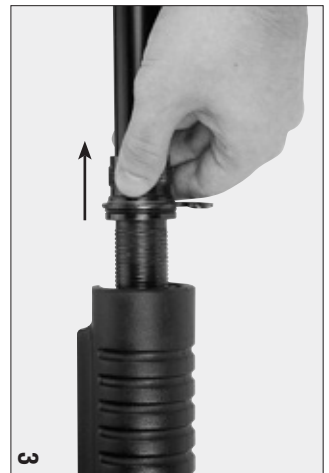
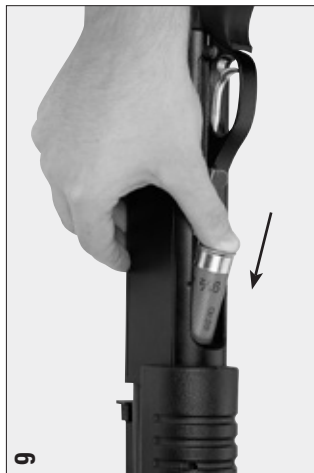
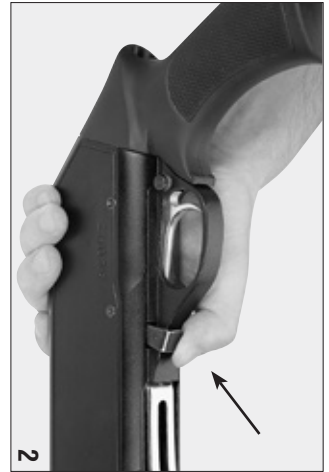
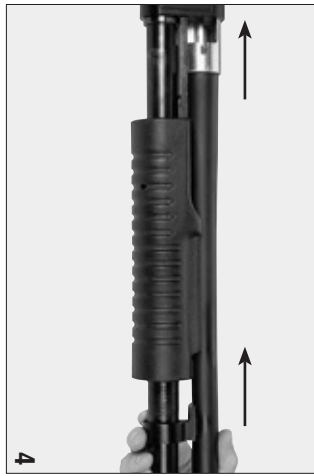
Disassemble, clean and lubricate the shotgun when grease, dirt or powder fouling accumulates in the barrel and action. To avoid rust and corrosion, clean and lubricate after each use.

Materials and equipment necessary for cleaning and lubrication;

- Cleaning rod
- Cotton bore patches
- Brass bore brush
- Powder solvent
- Small soft brush
- Good quality shotgun oil
- After use, to remove any powder and lead residue in the bore, scrub the barrel and chamber using the bore brush with powder solvent. Then swab the bore and the chamber with shotgun oiled cotton patches to protect from rust and corrosion.
- After a high number of shots (about 500 shots), disassemble the bolt assembly and clean it with a soft brush and shotgun oil. Then dry it carefully with a soft cloth and oil the parts lightly.
- Clean the outside of the magazine tube with a shotgun oiled soft cloth and then dry it with a soft cloth and oil the parts lightly.
- Any powder on the chamber, barrel, etc. can be cleaned with a brush and powder solvent.
- All external surfaces should be wiped down with light coat of rust preventative.
- Avoid using too much solvent for bore cleaning, since prolonged contact may damage the finish of the shotgun. Make sure to wipe away all the excess solvent and lubricant.

# How to install bolt correctly on the action lever







# **HATSAN**

## **ARMS COMPANY**

Izmir - Ankara Karayolu 26. km. No. 289 OSB Kemalpaşa 35170 Izmir - TURKEY  
Tel: +90 (232) 878 91 00 • Fax: +90 (232) 878 91 02

[www.hatsan.com.tr](http://www.hatsan.com.tr) [info@hatsan.com.tr](mailto:info@hatsan.com.tr)